



RDCV- Rubber Disc Check Valve

R^{DCV} is a fully encapsulated resilient disc seat, double flange swing check valve for reliable reverse flow prevention, good for both clean water/ sewage applications. It is a 40 degree angle declined seat which can help quick closure and minimize the water hammer and slamming.

Features:

- Double flange design, the disc is composed of DI plate, steel bar shaft and nylon reinforced fabric.
- The rubber disc is totally encapsulated in NBR rubber for superior sealing and corrosion resistance.
- Nylon fabric is inserted into the disc for strengthening the disc from cracking and breaking during operations.
- Much shorter stroke to minimize water hammer and water slamming.
- The flap disc rises above the flow profile reducing possible wear and damage.
- All iron parts are coated in fusion bond epoxy resin.
- Simple design, top entry cover allows for access for cleaning, replacement and maintenance easy.
- Meets BS EN 1074-3 and BS EN 558 F/F dimensions.



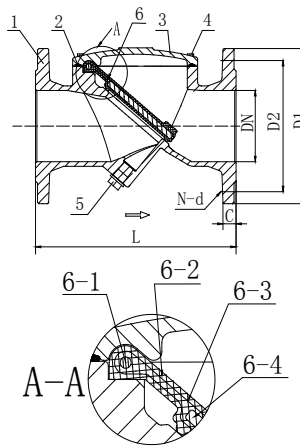
General Applications:

For general water supply, fire fighting, HVAC/cooling & sewage system.

Technical Data:

Size Range: DN 50-600mm
Pressure rating:
PN10 ,PN16.
Max. temperature Range:
-10°C to 80°C

RDCV-Mian Valve



Parts List & Material

No.	Part Name	Material	Standard
1	Body	Ductile Iron	EN GJS500-7
2	O-ring	Rubber	NBR
3	Bonnet	Ductile Iron	EN GJS 500-7
4	Bolt	Galvanized Steel	Commercial
*5	Plug	Galvanized Steel	Commercial
6	Disc	Steel + Rubber	C45E4 + EPDM/ NBR
6-1	Bar	Steel	C45E4
6-2	Lining	Rubber	EPDM/ NBR
6-3	Reinforcement Fabric	Nyoln	Commercial
6-4	Disc Plate	Carbon Steel	C45E4

* Item 5 will be an option.

Dimension:

Unit: mm

DN	Model No	L	D1		D2		n-Ød		C
			PN10	PN16	PN10	PN16	PN10	PN16	
50	RDCV-0050	203	165		125		4-Ø19		19
65	RDCV-0065	216	185		145		4-Ø19		19
80	RDCV-0080	241	200		160		8-Ø19		19
100	RDCV-0100	292	220		180		8-Ø19		19
125	RDCV-0125	330	250		210		8-Ø19		19
150	RDCV-0150	356	285		240		8-Ø23		19
200	RDCV-0200	495	340		295		8-Ø23	12-Ø23	20
250	RDCV-0250	622	395	405	350	355	12-Ø23	12-Ø28	22
300	RDCV-0300	698	445	460	400	410	12-Ø23	12-Ø28	24.5
350	RDCV-0350	787	505	520	460	470	16-Ø23	16-Ø28	24.5
400	RDCV-0400	914	565	580	515	525	16-Ø28	16-Ø31	24.5
*450	RDCV-0400	914	615	640	565	585	20-Ø28	20-Ø31	25.5
500	RDCV-0500	978	670	715	620	650	20-Ø28	20-Ø34	26.5
*600	RDCV-0600	1067	780	840	725	770	20-Ø31	20-Ø37	30

* DN450 use the same F/F dimension of DN400.

Ordering Code:

Model:
RDCV: Rubber Disc Check Valve

RDCV - 0150 - 16

End Connection / ratings:

10: PN10

16: PN16

A1: ANSI 125 LB

A5: ANIS 150 LB

Valve Size:

0080: 80 mm

0150: 150 mm