



# LIMIT SWITCH BOX

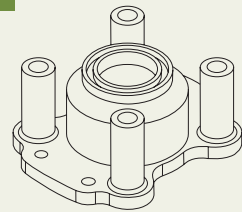
# Limit Switch Box

## PRODUCT & SALES ITEMS

- AIR-PLUS Valves
- On/Off Valves
- Pneumatic Actuators
- Limit Switches
- Transmitters
- Control Valves
- High Performance Butterfly Valves

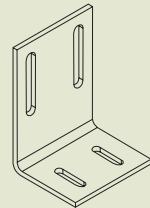
## MOUNTING BRACKET

B-1



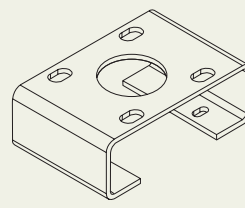
Material : Plastic (ABS)  
Application : 30 × 80 × 20

B-2



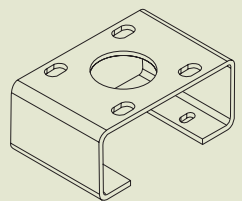
Material : Steel  
Application : 30 × 80 × 20~30

B-3



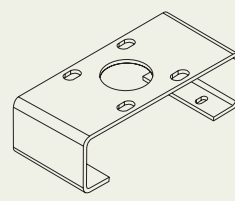
Material : Steel  
Application : 30 × 80 × 20

B-4



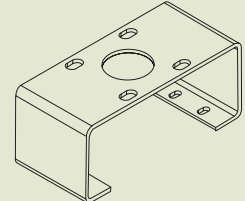
Material : Steel  
Application : 30 × 80 × 30

B-5



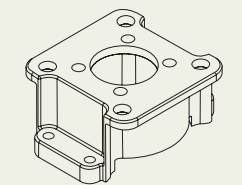
Material : Steel  
Application : 30 × 130 × 30

B-6



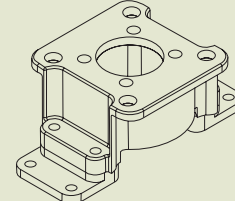
Material : Steel  
Application : 30 × 130 × 50

A-1



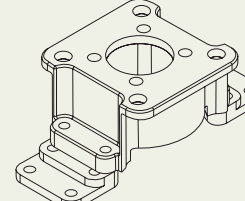
Material : Aluminium  
Application : 30 × 80 × 20

A-2



Material : Aluminium  
Application : 30 × 80 × 30

A-3



Material : Aluminium  
Application : 30 × 130 × 30

※bracket(namur std.) mounting bolt, nuts to be provided together with limit switch box as standard.





The · World · Best · Technology

w w w . d o n g j o o A P . c o m

### SPECIFICATIONS



▲LS710

▲ ALS30

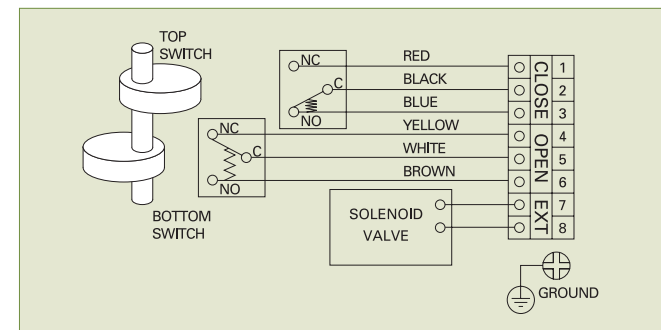
Model	LS710	ALS30
Enclosure	Weather Proof, IP67	Ex d IIC T6, IP66
Mechanical Switch	2 SPDT	2 SPDT
Electrical Ratings	15A 125V/250V AC 0.6A 125V DC 0.3A 250V DC	15A 125V/250V AC 0.6A 125V DC 0.3A 250V DC
Terminal Strip	8 Contacts	8 Contacts
Temp. Ratings	-20° ~ 85°	-20° ~ 85°
Conduit Entries	2-PF 1/2"	2-PF3/4"

### FEATURE

The rotary limit switch enclosure provides a compact design package for visual and remote electrical indication of valve position. The die-casting aluminum housing is epoxy coated and designed to meet weather proof & Exp-proof.

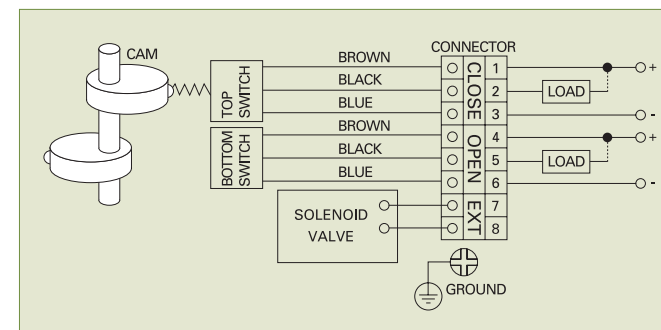
- ┆ Dual 1/2"(LS710) & 3/4"(ALS30) cable entries
- ┆ 8 point terminal strip and easy wiring
- ┆ Mechanical switch of UL, VDE, CSA standards
- ┆ Stainless steel shaft of NAMUR standard
- ┆ Quick set spring cam, easy initial setting and calibration
- ┆ Stainless steel housing cover screws

### ELECTRICAL CONNECTION



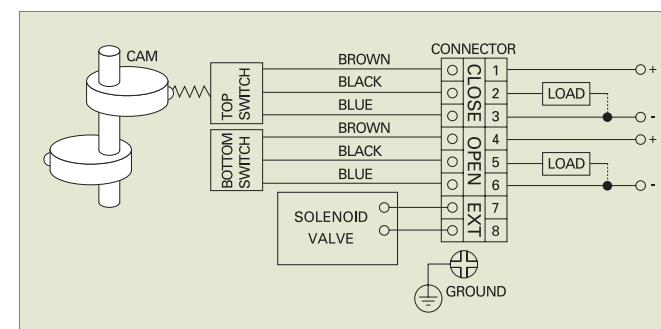
#### Mechanical Switch (2 SPDT)

- Micro Switch
- Used in approved.
- Type : Mechanical Switch
- Power : 15A-125 or 250V AC,  
0.6A-125V DC, 0.3A-250V DC



#### Proximity Switch (OutPut Type : NPN)

- Proximity Switch
- Used in approved.
- Type : Proximity Switch
- Power Supply : 12~24V DC  
(OPERATING VOLTAGE : 10~30V DC)



#### Proximity Switch (OutPut Type : PNP)

- Proximity Switch
- Used in approved.
- Type : Proximity Switch
- Power Supply : 12~24V DC  
(OPERATING VOLTAGE : 10~30V DC)