



RV - RESILIENT SEATED GATE VALVES

RV-Gate valve is a kind of rubber Seated Gate Valves with fixed nuts on the wedge and fully encapsulated with rubber. The Valve is light operating, no clogging and no corrosion, good resilient memory & long life service. It can be used extensively in all kinds of water supplying & drainage. Fire-fighting to function as a shut-off or regulating Valve.

Features:

- Advanced design, less force & easy for maintenance.
- Body & Cover are made of high grade Ductile iron, less weight 20% -30% than CI valves.
- Strong stem, modern wedge & light operation, save force.
- Flat body design to avoid clogging. Wedge covered by high-grade rubber which satisfies for drinking water system.
- Interchangeable of rubber wedge for its precise casting.
- High-tech rubber curing with precise geometry dimensions, more resilient & strong adhesive to ductile casting.
- The 3 O-rings are designed to prevent from leakage. Can be replaced without removing the pipeline
- Both inside & outside are coated with epoxy resin powder.
- Manufacturing standard meets ISO7259-1998
- F/F (Face to Face) meets the following standard: GB:1221-89, ISO:5752-1982, Table1, Series3 BS:5163-1986
- Flange Design meets the following standard: GB/T: 17241.6 - 1998. ISO: 7005.2-1998, EN: 1092.2-1997.



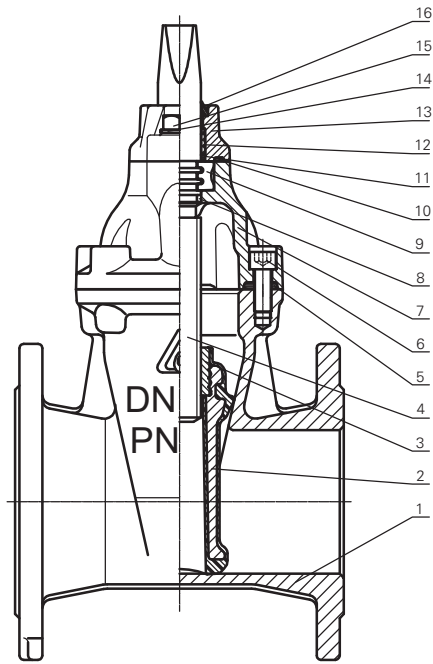
Field Services:

Suitable for water supply.
Drainage & water circulation.
Heat & cooling system
Including, Air-Conditioning.
Fire-fighting & Irrigation
System

Technical Data:

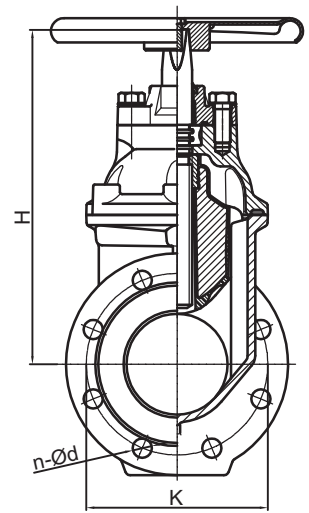
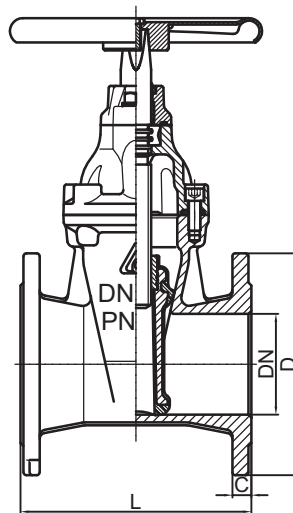
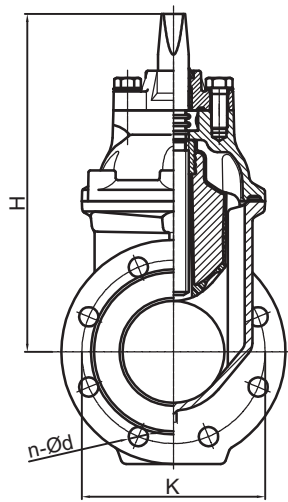
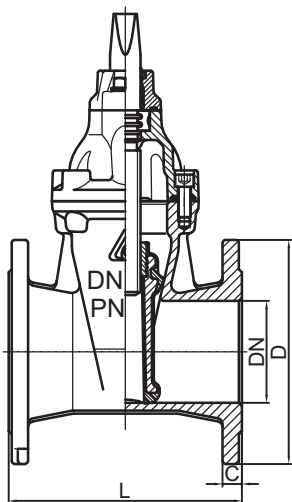
Size range: DN50-DN600mm
Pressure rating: 1.0Mpa; 1.6Mpa
Working Temp: -10°C-80°C
Flow Media: Water, Drainage
End connection: PN10/PN16,
JIS10K, ANSI 150LB

Main Valve



Parts List & Material

No	Part Names	Material	Standard
1	Body	Ductile Iron	ASTM A536
2	Wedge	DI+Rubber	ASTM A536+EPDM/NBR
3	Wedge Nut	Bronze	ASTM C51900
4	Stem	Stainless steel	AISI410/304/316L
5	Bonnet Gasket	Rubber	EPDM/NBR
6	Bolts	Carbon Steel/Stainless Steel	Commercial/AISI 304
7	Bonnet	Ductile Iron	ASTM A536
8	O-ring	Rubber	NBR
9	Thrust Bearing	DI/Bronze	ASTM A536/ASTM C83600
10	O-ring	Rubber	NBR
11	O-ring	Rubber	NBR
12	Bushing	Nylon	PA
13	Gland	Ductile Iron	ASTM A536
14	Washer	Carbon Steel/Stainless Steel	Commercial/AISI 304
15	Bolts	Carbon Steel/Stainless Steel	Commercial/AISI 304
16	Wiper Ring	Rubber	NBR

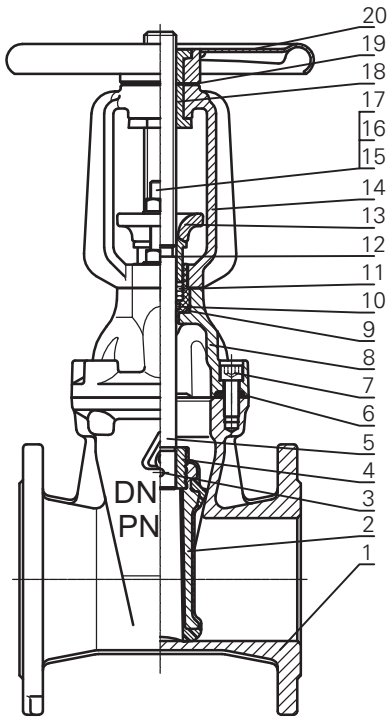


Dimension

Unit: mm

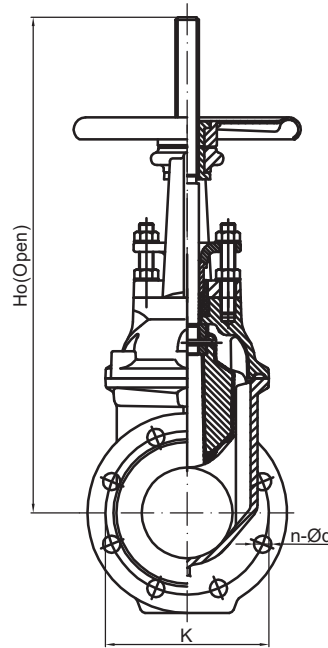
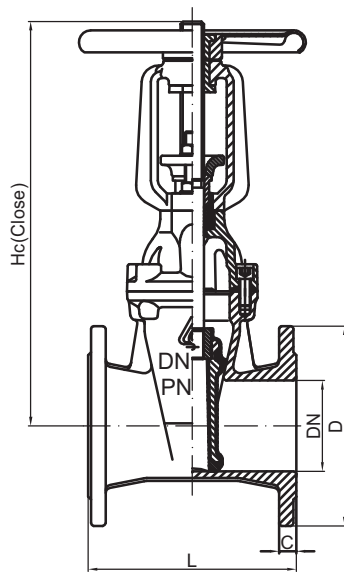
DN	Model/No.	L	H	D		K		n-Ød		C	
				PN10	PN16	PN10	PN16	PN10	PN16	PN10	PN16
50	RVH(C)-0050	178	238	165		125		4-Ø19		19	
65	RVH(C)-0065	190	257	185		145		4-Ø19		19	
80	RVH(C)-0080	203	294	200		160		8-Ø19		19	
100	RVH(C)-0100	229	332	220		180		8-Ø19		19	
150	RVH(C)-0150	267	441	285		240		8-Ø23		19	
200	RVH(C)-0200	292	526	340		295		8-Ø23	12Ø23	20	
250	RVH(C)-0250	330	630	405		350	355	12-Ø23	12Ø28	22	
300	RVH(C)-0300	356	706	460		400	410	12-Ø23	12Ø28	24.5	

Main Valve



Parts List & Material

No	Part Names	Material	Standard
1	Body	Ductile Iron	ASTM A536
2	Wedge	DI+Rubber	ASTM A536+EPDM/NBR
3	Pin	Stainless steel	AISI 304/316L
4	Wedge Nut	Bronze	ASTM C 51900
5	Stem	Stainless steel	AISI 410 / 304 / 316L
6	Bonnet Gasket	Rubber	EPDM / NBR
7	Bolt	Carbon Steel/Stainless Steel	Commercial/AISI 304
8	Bonnet	Ductile Iron	ASTM A536
9	O-ring	Rubber	NBR
10	O-ring	Rubber	NBR
11	O-ring	Rubber	NBR
12	Press Bushing	Carbon Steel Zincification	Commercial
13	Gland	Ductile Iron	ASTM A536
14	Yoke	Ductile Iron	ASTM A536
15	Bolt	Carbon Steel/Stainless Steel	Commercial/AISI 304
16	Nuts	Carbon Steel/Stainless Steel	Commercial/AISI 304
17	Washer	Carbon Steel/Stainless Steel	Commercial/AISI 304
18	Stem Nut Couple	Bronze	ASTM C 83600
19	Washer	Brass	ASTM C 34500
20	Handwheel	Carbon Steel/DI	Commercial



Dimension

Unit: mm

DN	Model/No.	L	D		K		C		n-Ød		Hc	Ho
			PN10	PN16	PN10	PN16	PN10	PN16	PN10	PN16		
50	RRHX-0050	178	165		125		19		4-Ø19		309	376
65	RRHX-0065	190	185		145		19		4-Ø19		311	393
80	RRHX-0080	203	200		160		19		8-Ø19		378	463
100	RRHX-0100	229	220		180		19		8-Ø19		445	548
150	RRHX-0150	267	285		240		19		8-Ø23		608	763
200	RRHX-0200	292	340		295		20		8-Ø23	12Ø23	759	964
250	RRHX-0250	330	405		350	355	22		12-Ø23	12Ø28	898	1028
300	RRHX-0300	356	460		400	410	24.5		12-Ø23	12Ø28	1025	1330

Odering

RV H X - 0200 - 16 - 201

Model: _____

RV: Non-Rising stem gate valve

RR: Rising stem gate valve

Operator: _____

H: Handwheel

C: Cap

B: Bare

E: Electrical/Bare

P: Pneumatic/Bare

Extra Function: _____

S: NR + Electrical Signal

I: NR + Indicator

Mat'l code:

See trim code listed below:

End Connection:

10: PN10

16: PN16

1K: JIS 10K

A1: ANSI 150LB

Valve Size:

0100 : 100 mm

0200 : 200 mm

Trim codes

Codes	Body	Wedge & Rubber	Stem	Color	External Bolts
201	DI	DI+EPDM	ANSI 410	Blue	Carbon Steel
202	DI	DI+EDPM	ANSI 410	Blue	ANSI 304
211	DI	DI+EDPM	ANSI 410	Red	Carbon Steel
212	DI	DI+EDPM	ANSI 410	Red	ANSI 304

