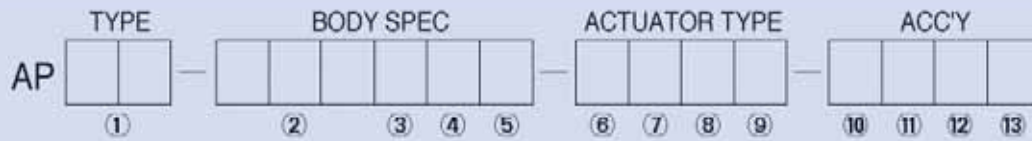


AP SERIES

Valves&Controls

Model Selection Guide



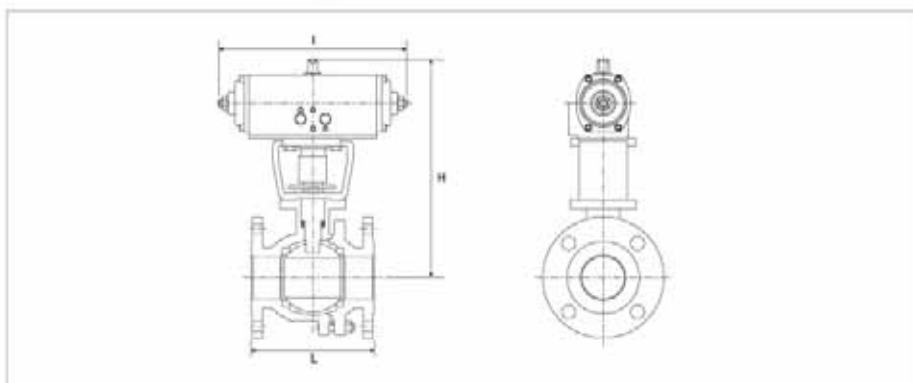
① Valve Type	2B	2WAY BALL
	3B	3WAY BALL
	VB	V-NOTCH BALL
	TB	TANK BALL
	BT	BUTTERFLY
	HB	HIGH-PERFORMANCE BUTTERFLY
	DP	DAMPER
	2P	2WAY PLUG
	3P	3WAY PLUG
	GT	GATE
	KG	KNIFE GATE
	2G	2WAY GLOBE
	3G	3WAY GLOBE
	TF	TANK FLUSH
	YB	Y TYPE BALL
	YV	Y TYPE VANE
	DV	DIAPHRAGM
	PN	PINCH
	ND	NEEDLE
② Size	SIZE (mm)	
③ Body Mat'l	A	ALDC
	B	FC
	C	FCD
	D	CS
	E	SUS 304
	F	SUS 316
	G	BRONZE
	H	SPECIAL
④ Connection	1	RF FLANGED
	2	FF FLANGED
	3	WAFER TYPE
	4	LUG TYPE
	5	SOCKET WELDING
	6	BUTT WELDING
	7	THREAD TYPE
	8	SPECIAL
⑤ Rating	1	JIS 10K
	2	JIS 20K
	3	JIS 30K
	4	ANSI 150#
	5	ANSI 300#
	6	ANSI 600#
	7	DIN 10
	8	DIN 16
	9	DIN 25
	0	OTHERS

⑥ Operating	L	LEVER
	G	GEAR
	C	CYLINDER
	D	DIAPHRAGM
	P	PISTON
	H	HYDRAULIC
	E	ELECTRIC
	O	NONE
⑦ Manual H/Weel	1	LEVER TYPE
	2	SIDE HANDWHEEL
	3	DECLUTCHABLE
	0	NONE
⑧ Fall Position	1	LAST
	2	CLOSE
	3	OPEN
⑨ Action Type	1	ON-OFF
	2	CONTROL
	3	2-STAGE ACTION
⑩ Air Set	1	FILTER + REGULATOR
	2	F + R + LUBRICATOR
	3	F + R (LOW TEMP)
	4	SPECIAL TYPE
(ELECTRIC)	0	NONE
	5	1PH
	6	3PH
⑪ Solenoid	1	3WAY (STANDARD)
	2	4WAY (STANDARD)
	3	3WAY (DOUBLE COIL)
	4	4WAY (DOUBLE COIL)
	5	SPECIAL TYPE
	0	NONE
(ELECTRIC)	6	110V/60Hz
	7	220V/60Hz
	8	380V/60Hz
	9	440V/60Hz
⑫ Limit S/w	1	STANDARD
	2	STANDARD BOX TYPE
	3	PROXIMITY SENSORS
	4	DPDT TYPE
	5	SPECIAL TYPE
	0	NONE
⑬ Enclosure	1	WEA-PROOF
	2	EX-PROOF



Pneumatic 2way Ball Valve

AP2B-□□□E11-C011-0021

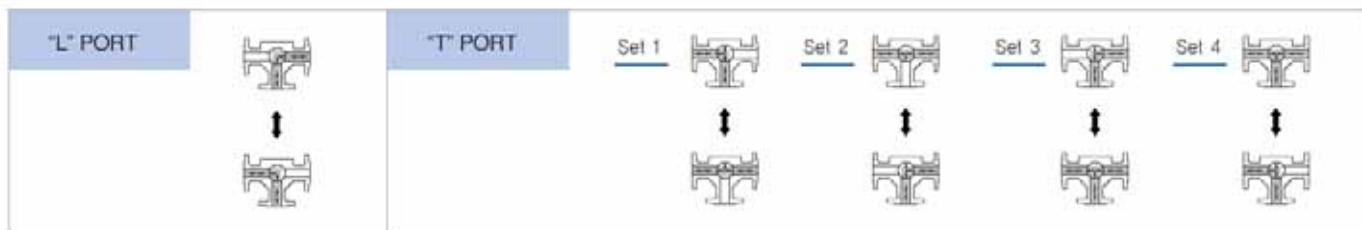
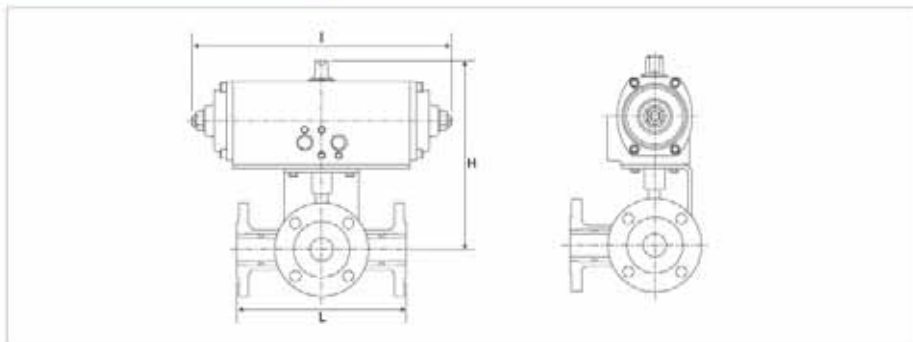


Dimensions

SIZE	inch	1/2	3/4	1	1 1/4	1 1/2	2	2 1/2	3	4	5	6	8
	mm	15	20	25	32	40	50	65	80	100	125	150	200
H		358	366	388	410	425	437	477	496	540	620	700	912
L		108	117	127	140	165	178	190	203	229	356	394	457
I		255	255	255	340	340	340	400	400	504	600	600	1200

Pneumatic 3way Ball Valve

AP3B-□□□E11-C011-0001



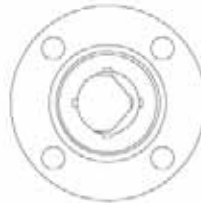
Dimensions

SIZE	inch	1/2	3/4	1	1 1/4	1 1/2	2	2 1/2	3	4	5	6
	mm	15	20	25	32	40	50	65	80	100	125	150
H		358	366	388	410	425	437	477	496	540	620	700
L		108	117	127	140	165	178	190	203	229	356	394
I		175	175	175	254	254	254	275	275	382	450	450

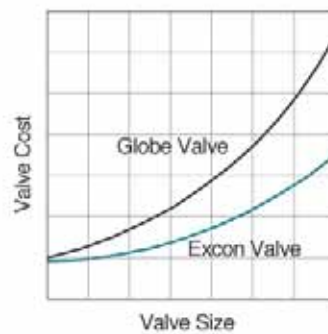
Pneumatic V-notch Ball Valve

APVB-□□□E11-C012-0001

V-notch are high flow capacity, wide rangeability, compact, light-weight, compact & flexible mounting directions, thereby reducing initial installation & overall maintenance.

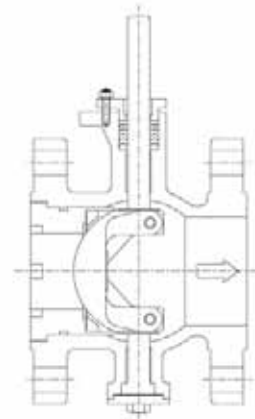


Excellent economy



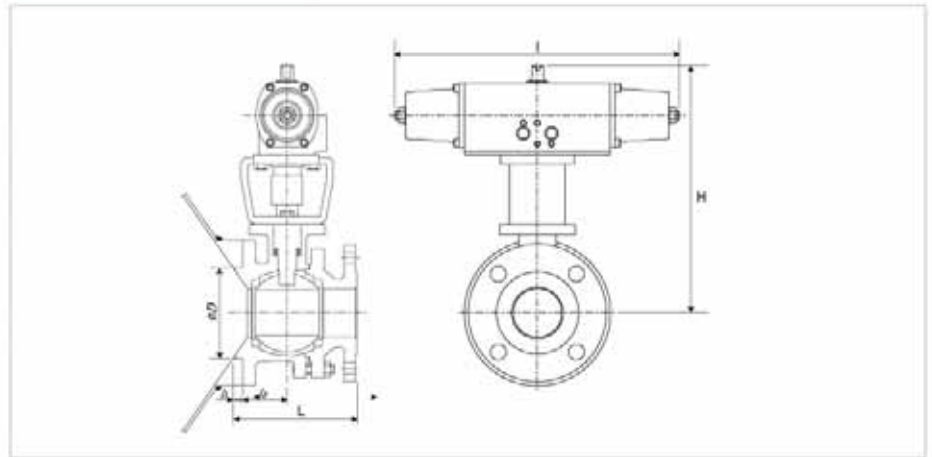
Dirty & gummy service

Disc is open yoke type segment ball which can be used for specially dirty & gummy service as well as for general service.



Pneumatic Tank Ball Valve

APTB-□□□E11-C011-0001



Dimensions

SIZE	inch	1	1 ½	2	2 ½	3	4	5	6
	mm	25	40	50	65	80	100	125	150
H		388	410	425	437	477	496	540	620
L		90	107	123	130	147	166	253	273
<i>l</i> ₁		12	12	14.5	23	25	40	42	42
<i>l</i> ₂		33	35	40	51	63	69	85	105
φD		49	61	77	114	140	166	192	243
l		255	340	340	400	400	504	504	600

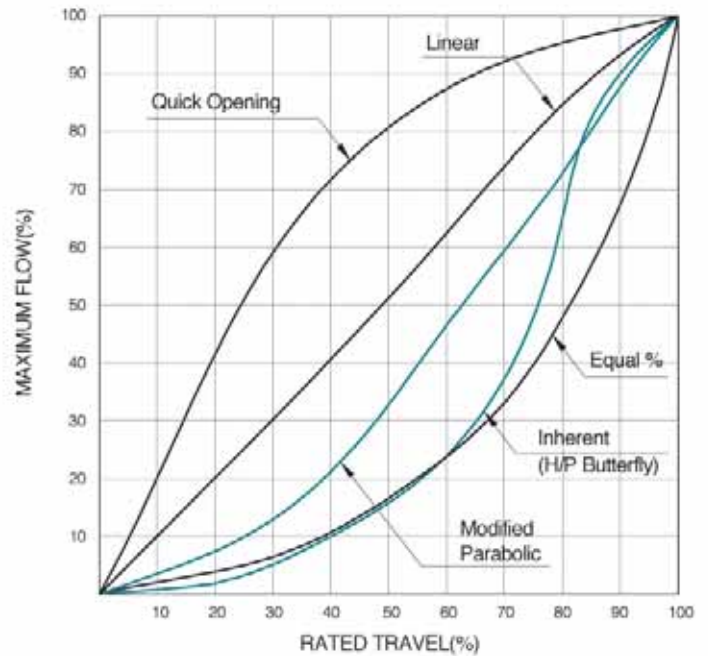


Flow Characteristic

Modified Parabolic : The modified parabolic flow characteristic curve falls between the linear & equal percentage characteristics.

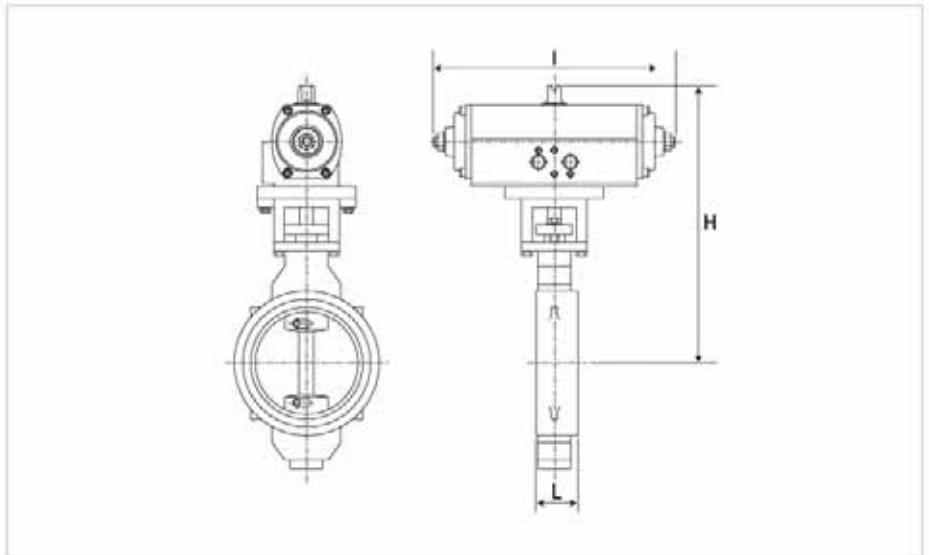
dongjooAP's throttle plug & v-notch valve plugs exhibit a modified parabolic flow characteristic.

They can be substituted for equal percentage valve plugs in many applications although at some sacrifice in performance.



Pneumatic High-performance Butterfly Valve

APHB-□□□B31-C011-0021

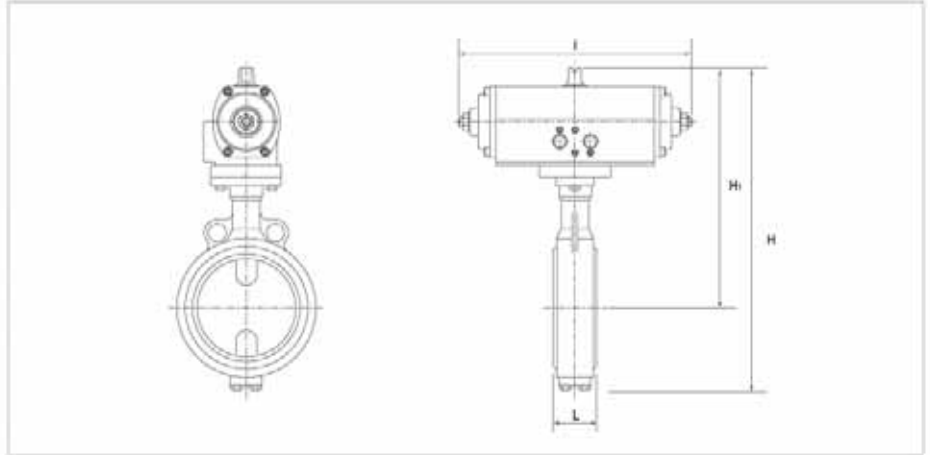


Dimensions

SIZE	inch	1 1/4	1 1/2	2	2 1/2	3	4	5	6	8	10	12	14	16
	mm	32	40	50	65	80	100	125	150	200	250	300	350	400
H		234	234	250	265	283	303	322	332	372	439	486	674	705
L		38	38	44	44	44	52	62	62	74	93	99	107	115
I		175	175	175	175	254	254	275	275	382	382	450	450	450

Pneumatic Butterfly Valve

APBT-□□□A31-C011-0001



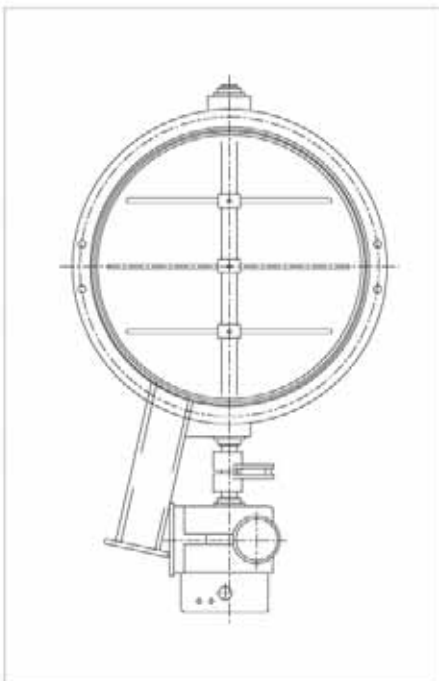
Dimensions

SIZE	inch	2	2½	3	4	5	6	8	10	12
	mm	50	65	80	100	125	150	200	250	300
H		320	340	378	396	441	479	577	670	795
H1		250	270	300	306	334	360	410	470	554
L		43	46	46	52	56	56	60	68	78
I		175	175	254	254	275	275	382	382	450

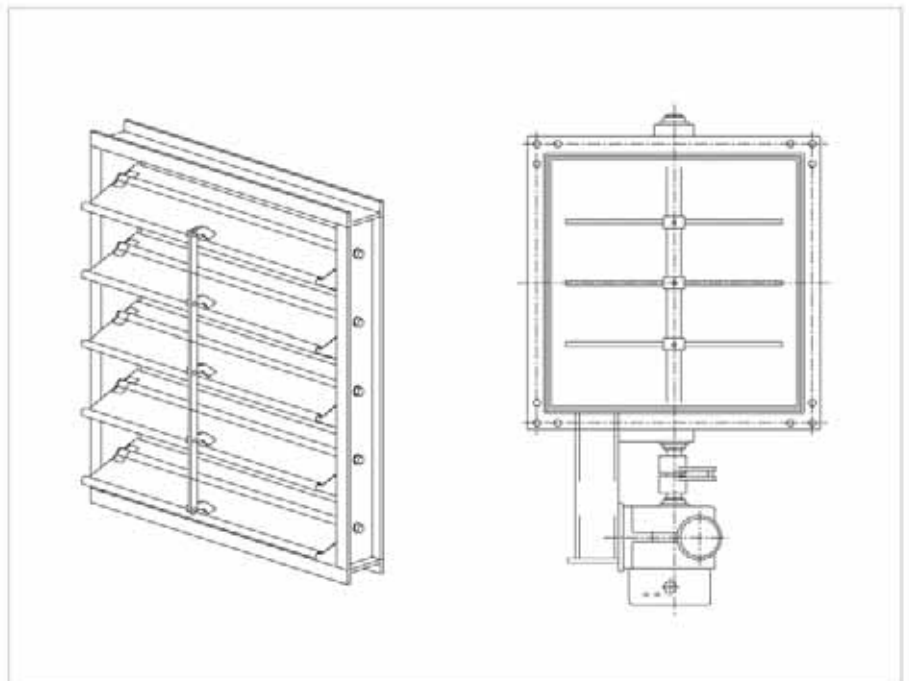
Pneumatic V-notch Ball Valve

APDP-□□□E81-E211-5711

Circular type



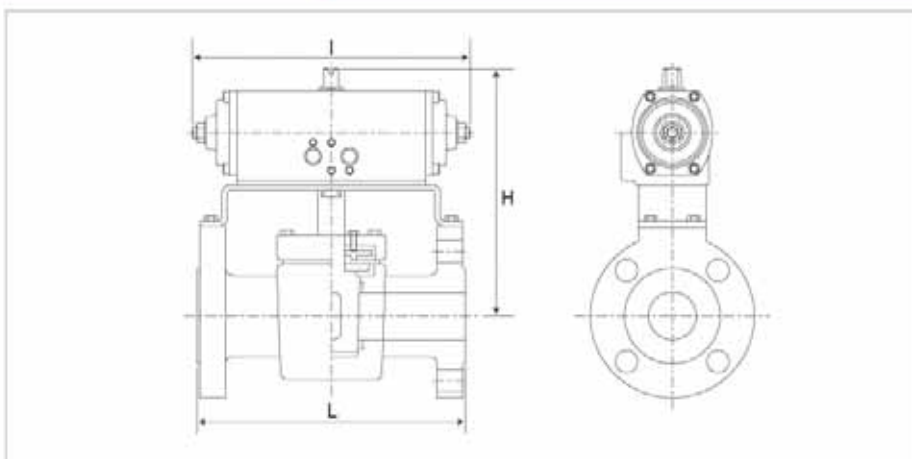
Square type





Pneumatic Plug Valve

AP2T-□□□B14-C011-0001

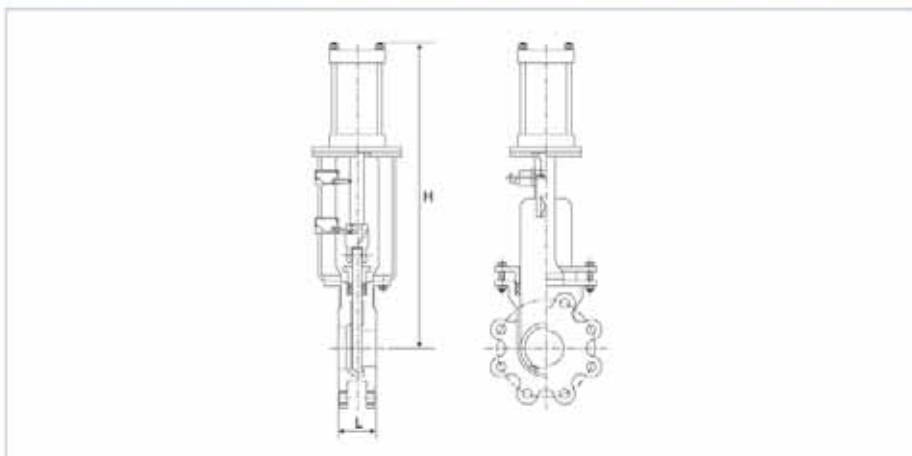


Dimensions

SIZE	inch	$\frac{1}{2}$	$\frac{3}{4}$	1	$1\frac{1}{2}$	2	$2\frac{1}{2}$	3	4	5	6
	mm	15	20	25	40	50	65	80	100	125	150
H		171	181	186	230	264	281	321	375	386	420
L		108	117	127	165	178	190	203	229	356	394
weight (kg)		3	3.8	6	10	11	19.5	20	30	56	94

Pneumatic Knife gate Valve

APKG-□□□E41-P011-0001



Dimensions

SIZE	inch	2	$2\frac{1}{2}$	3	4	5	6	8	10	12	14	16
	mm	50	65	80	100	125	150	200	250	300	350	400
H		520	550	590	675	765	830	980	1170	1335	1460	1610
L		48	51	51	51	57	57	70	70	76	76	89
weight (kg)		30	33	35	45	51	55	80	100	150	230	310



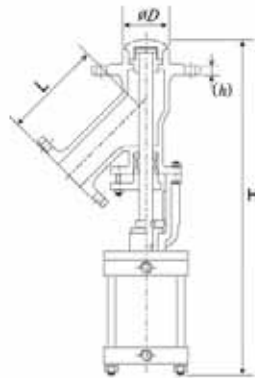
Pneumatic Tank Flush

APTF-□□□E11-P011-0001

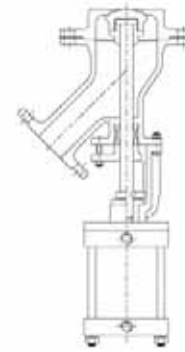
Dimensions

SIZE	inch	1	1½	2	2½	3	4	5	6	8
	mm	25	40	50	65	80	100	125	150	200
L		115	140	180	170	220	230	250	290	340
H		390	420	450	500	530	630	780	800	920
h		30	36	40	45	60	70	80	86	95
D		38	55	65	80	95	114	140	165	216

UPPER



LOWER

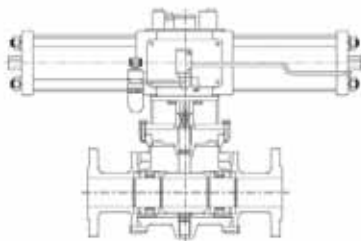


Pneumatic Y type Ball Valve

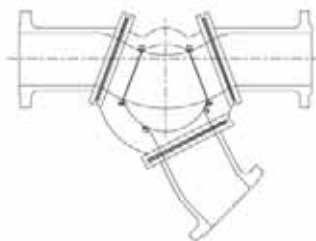
APYB-□□□E11-C011-1201

Pneumatic Y type Vane Valve

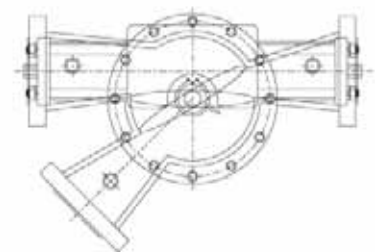
APYV-□□□E11-C011-0001



Y type ball valve



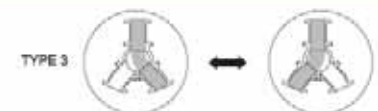
Y type vane valve



DIRECTIOIN OF FLOW
Left→Right

DIRECTIOIN OF FLOW
Left→Right

DIRECTIOIN OF FLOW
Upper→Lower





Electric Ball Valve

Electric Butterfly Valve

AP2B-□□□E11-E111-5711

APBT-□□□B31-E111-5711

Butterfly valve



Ball valve



Electric 2way Globe Valve

Electric 3way Globe Valve

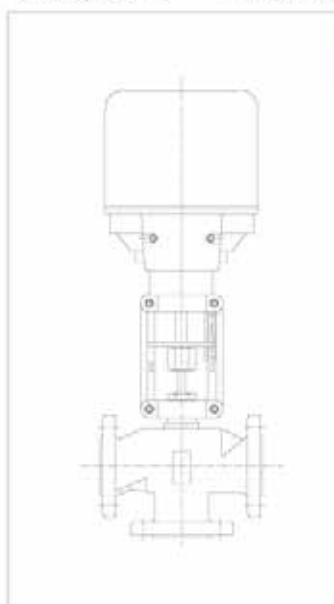
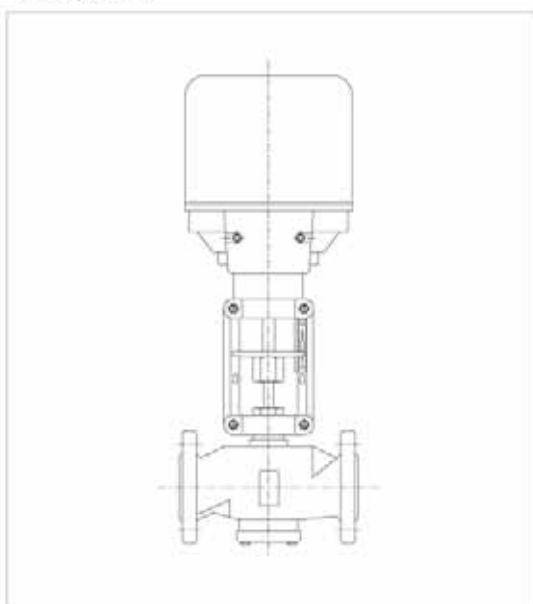
AP2B-□□□E11-E111-5711

APBT-□□□B31-E111-5711

1) 2way Globe

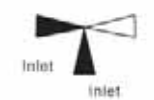
2) 3way Globe

1Ph 220V/60Hz Wea-proof

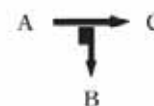


a) Mixing

b) Diverting



from A & B
to C



from A
to B or C

Valve & Controls



2-Way Vacuum Ball Valve (Pneumatic)



2-Way Vacuum Ball Valve (Electric)



3-Way Vacuum Ball Valve (Pneumatic)



3-Way Vacuum Ball Valve (Pneumatic)



Angle Valve (Pneumatic)



Vacuum Components



3-Way Vacuum Ball Valve (Verical)



3-Way Screw Ball Valve (Pneumatic)



4-Way Screw Ball Valve (Pneumatic)



2-Way Screw Ball Valve (Electric)



2-Way Sanitary Ball Valve (Pneumatic)



3-Way Sanitary Ball Valve (Electric)



Sanitary Butterfly Valve



3-Way Sanitary ball Valve (Pneumatic)

