



RDCV- Rubber Disc Check Valve

The RDCV is a fully encapsulated resilient disc seat, double flange swing check valve for reliable reverse flow prevention, good for both clean water/sewage applications. It is a 45 degree angle declined seat which can help quick closure and minimize the water hammer and slamming.

Features:

- Double flange design, the disc is composed of steel plate, steel bar shaft and nylon reinforced fabric.
- The rubber disc is totally encapsulated in NBR rubber for superior sealing and corrosion resistance.
- The flap disc rises above the flow profile reducing possible wear and damage.
- All iron parts are coated in fusion bond epoxy resin.
- Simple design, top entry cover allows for access for cleaning, replacement and maintenance easy.



General Applications :

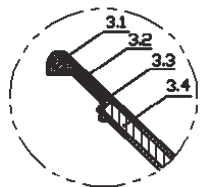
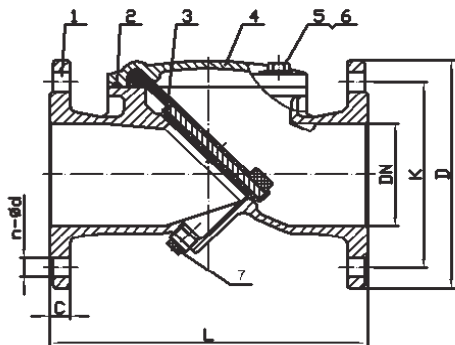
For general water supply, fire fighting ,HVAC/cooling & sewage system.

Technical Data:

Size range: DN 50-300mm
Pressure rating: PN10 ,PN16
Max. temperature Range:
-10°C to 80°C
End connections: PN10/PN16;
ANSI 150LB

RDCV- Rubber Disc Check Valve

Main Valve Drawing



Rubber Disc Profile

Parts List & Material

No	Part Names	Material	Standard
1	Body	Ductile Iron	ASTM A536
2	O-ring	NBR	Commercial
3	Rubber disc	Steel Encapsulated NBR	ASTM 283M+NBR
4	Bonnet	Ductile iron	ASTM A536
5	Bolt	Galvanized steel	ASTM A322
6	Washer	Galvanized steel	ASTM A276
7	Plug	Galvanized steel	ASTM A276
3-1	Shaft	Steel	ASTM 1045
3-2	Rubber	NBR	NBR
3-3	Reinforcement fabric	Nylon	Commercial
3-4	Disc plate	Carbon steel	ASTM 283M

Dimension

Unit: mm

DN	Model/No.	L	D		K		n-Ød		C
			PN10	PN16	PN10	PN16	PN10	PN16	
50	RDCV-0050	203	165		125		4-Ø19		19
65	RDCV-0065	216	185		145		4-Ø19		19
80	RDCV-0080	241	200		160		8-Ø19		19
100	RDCV-0100	292	220		180		8-Ø19		19
150	RDCV-0150	356	285		240		8-Ø23		19
200	RDCV-0200	495	340		295		8-Ø23	12Ø23	20
250	RDCV-0250	622	395	405	350	355	12-Ø23	12Ø28	22
300	RDCV-0300	698	445	460	400	410	12-Ø23	12Ø28	24.5

Ordering

RDCV-0150-16

Model:

RDCV: Rubber Discs Check Valve

End Connection:

10: PN10

1K: JIS 10K

16: PN16

A1: ANSI 150LB

Valve Size:

0150 : DN150 mm

