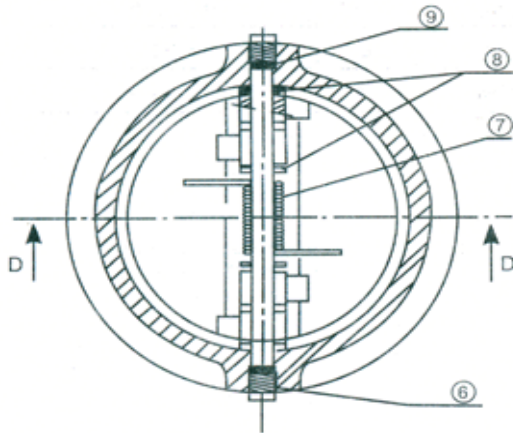


D - D Section



Materials List

No.	Part	QTY.	ASTM Spec.
1	Body	1	C.I.ASTM A126 Class B
2	Plate	2	S.S.or Bronze
3	Hinge Pom	1	AISI 410 or 420
4	Stop Pin	1	AISI 410 or 420
5	seat	1	EPDM or NBR
6	Pin Retainer	4	Steel
7	Spring	1 or 2	SISI 316
8	Washer	6 or 8	PTFE
9	Gasket	4	EPDM or NBR

Dimensions

SIZE	A ¹	A ²	A ³	B	C
DN50(2")	98	105	109	54	60
DN65(2 ^{1/2} ")	111	124	129	54	73
DN80(3")	130	137	144	57	89
DN100(4")	162	175	164	64	114
DN125(5")	194	197	194	70	141
DN150(6")	215	222	220	76	168
DN200(8")	272	279	275	95	219
DN250(10")	336	340	330	108	273
DN300(12")	282	410	380	143	324
DN350(14")	446	450	440	184	356

Notes:

- 1.A¹ For BS 10 Table D/E, A² For ANSI 125/150, A³ For BS 4504 PN10/16.
- 2."A"dimensions specify on order.
- 3.Size up to DN600(24")available.
- 4.Design & material are subject to change without notice.